

## CÁLCULO - 1

$$\begin{array}{r} + \quad 862 \\ \quad 268 \\ \quad 201 \\ \hline \end{array}$$

$$\begin{array}{r} + \quad 288 \\ \quad 898 \\ \quad 982 \\ \hline \end{array}$$

$$\begin{array}{r} + \quad 901 \\ \quad 241 \\ \quad 964 \\ \hline \end{array}$$

$$\begin{array}{r} \quad 6488 \\ - \quad 2014 \\ \hline \end{array}$$

$$\begin{array}{r} \quad 8926 \\ - \quad 2244 \\ \hline \end{array}$$

$$\begin{array}{r} \quad 9860 \\ - \quad 1004 \\ \hline \end{array}$$

$$\begin{array}{r} \quad 4018 \\ \times \quad 26 \\ \hline \end{array}$$

$$\begin{array}{r} \quad 8812 \\ \times \quad 2 \\ \hline \end{array}$$

$$\begin{array}{r} \quad 8004 \\ \times \quad 18 \\ \hline \end{array}$$

$$6242 \quad \left| \quad 6 \right.$$

$$9802 \quad \left| \quad 4 \right.$$

$$8821 \quad \left| \quad 4 \right.$$

$$8422 \quad \left| \quad 8 \right.$$

$$\begin{array}{r} 461 \\ 429 \\ + 900 \\ 240 \\ \hline \end{array}$$

$$\begin{array}{r} 426 \\ 248 \\ + 604 \\ 618 \\ \hline \end{array}$$

$$\begin{array}{r} 801 \\ 148 \\ + 288 \\ 109 \\ \hline \end{array}$$

$$\begin{array}{r} 2688 \\ - 2240 \\ \hline \end{array}$$

$$\begin{array}{r} 2001 \\ - 1998 \\ \hline \end{array}$$

$$\begin{array}{r} 2248 \\ - 2448 \\ \hline \end{array}$$

$$\begin{array}{r} 8014 \\ \times 28 \\ \hline \end{array}$$

$$\begin{array}{r} 4228 \\ \times 9 \\ \hline \end{array}$$

$$\begin{array}{r} 9808 \\ \times 12 \\ \hline \end{array}$$

6 6 6 9

| 2

6 8 0 1

| 8

2 2 4 0

| 8

8 1 1 6

| 4

$$\begin{array}{r} 688 \\ 864 \\ + 201 \\ \hline 602 \end{array}$$

$$\begin{array}{r} 800 \\ 264 \\ + 221 \\ \hline 428 \end{array}$$

$$\begin{array}{r} 922 \\ 888 \\ + 208 \\ \hline 204 \end{array}$$

$$\begin{array}{r} 6421 \\ - 2048 \\ \hline \end{array}$$

$$\begin{array}{r} 6601 \\ - 6201 \\ \hline \end{array}$$

$$\begin{array}{r} 8890 \\ - 4008 \\ \hline \end{array}$$

$$\begin{array}{r} 2688 \\ \times 9 \\ \hline \end{array}$$

$$\begin{array}{r} 4008 \\ \times 28 \\ \hline \end{array}$$

$$\begin{array}{r} 4408 \\ \times 41 \\ \hline \end{array}$$

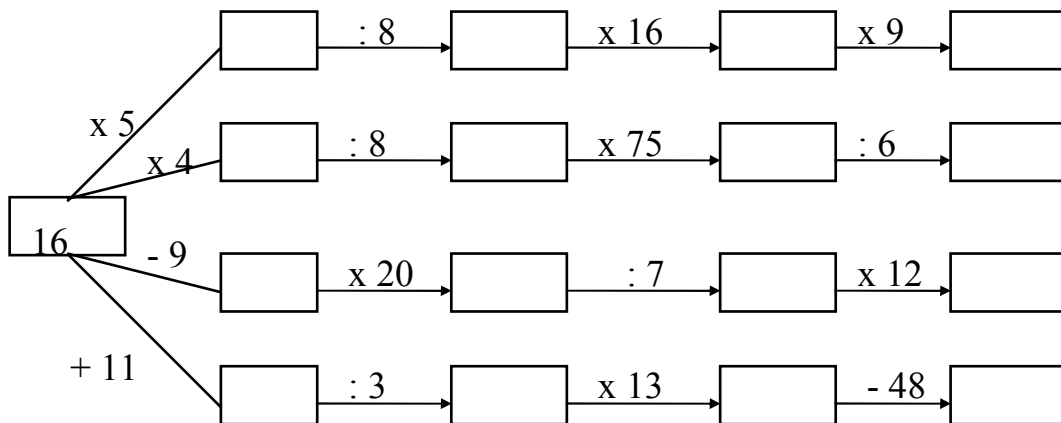
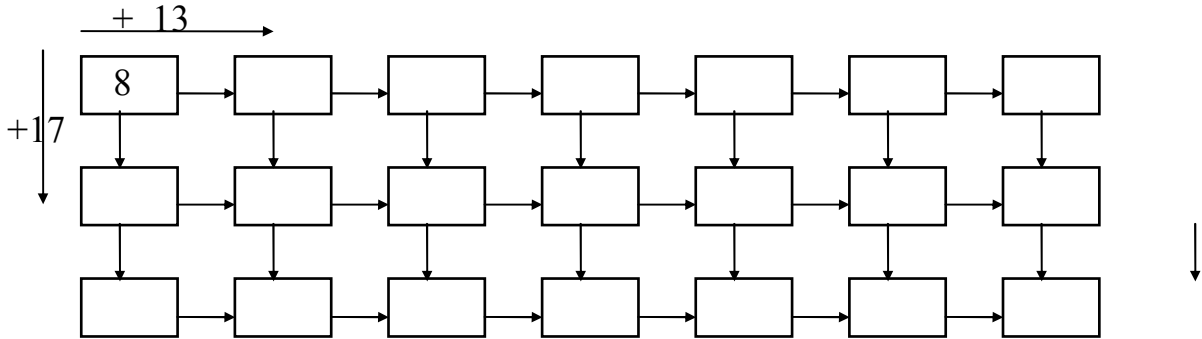
$$6688 \quad \left| \begin{array}{l} 2 \\ \hline \end{array} \right.$$

$$6488 \quad \left| \begin{array}{l} 8 \\ \hline \end{array} \right.$$

$$6011 \quad \left| \begin{array}{l} 4 \\ \hline \end{array} \right.$$

$$9804 \quad \left| \begin{array}{l} 2 \\ \hline \end{array} \right.$$

Completa :



**CÁLCULO - 2**

$$\begin{array}{r} 868 \\ + 84 \\ \hline 222 \end{array}$$

$$\begin{array}{r} 901 \\ + 146 \\ \hline 44 \end{array}$$

$$\begin{array}{r} 921 \\ + 961 \\ \hline 824 \end{array}$$

$$\begin{array}{r} 6488 \\ - 221 \\ \hline \end{array}$$

$$\begin{array}{r} 2004 \\ - 2688 \\ \hline \end{array}$$

$$\begin{array}{r} 2482 \\ - 104 \\ \hline \end{array}$$

$$\begin{array}{r} 2612 \\ \times 48 \\ \hline \end{array}$$

$$\begin{array}{r} 9224 \\ \times 6 \\ \hline \end{array}$$

$$\begin{array}{r} 2624 \\ \times 24 \\ \hline \end{array}$$

**9 8 0 1****4****1 1 1 6****4****2 4 0 4****8****2 0 0 6****9**

$$\begin{array}{r} 264 \\ 24 \\ + 982 \\ \hline 112 \end{array}$$

$$\begin{array}{r} 916 \\ 984 \\ + 66 \\ \hline 202 \end{array}$$

$$\begin{array}{r} 888 \\ 61 \\ + 88 \\ \hline 186 \end{array}$$

$$\begin{array}{r} 8418 \\ - 120 \\ \hline \end{array}$$

$$\begin{array}{r} 9021 \\ - 2902 \\ \hline \end{array}$$

$$\begin{array}{r} 4411 \\ - 118 \\ \hline \end{array}$$

$$\begin{array}{r} 2221 \\ \times 41 \\ \hline \end{array}$$

$$\begin{array}{r} 6948 \\ \times 2 \\ \hline \end{array}$$

$$\begin{array}{r} 4418 \\ \times 24 \\ \hline \end{array}$$

8 0 0 4

8

2 2 1 8

2

2 4 4 6

4

9 8 8 1

2

$$\begin{array}{r} 48 \\ 826 \\ + 21 \\ \hline 642 \end{array}$$

$$\begin{array}{r} 620 \\ 294 \\ + 281 \\ \hline 48 \end{array}$$

$$\begin{array}{r} 892 \\ 84 \\ + 228 \\ \hline 284 \end{array}$$

$$\begin{array}{r} 2998 \\ - 124 \\ \hline \end{array}$$

$$\begin{array}{r} 4222 \\ - 1009 \\ \hline \end{array}$$

$$\begin{array}{r} 2222 \\ - 286 \\ \hline \end{array}$$

$$\begin{array}{r} 4461 \\ \times 8 \\ \hline \end{array}$$

$$\begin{array}{r} 4908 \\ \times 12 \\ \hline \end{array}$$

$$\begin{array}{r} 2828 \\ \times 4 \\ \hline \end{array}$$

4 6 8 8

2

8 1 0 1

4

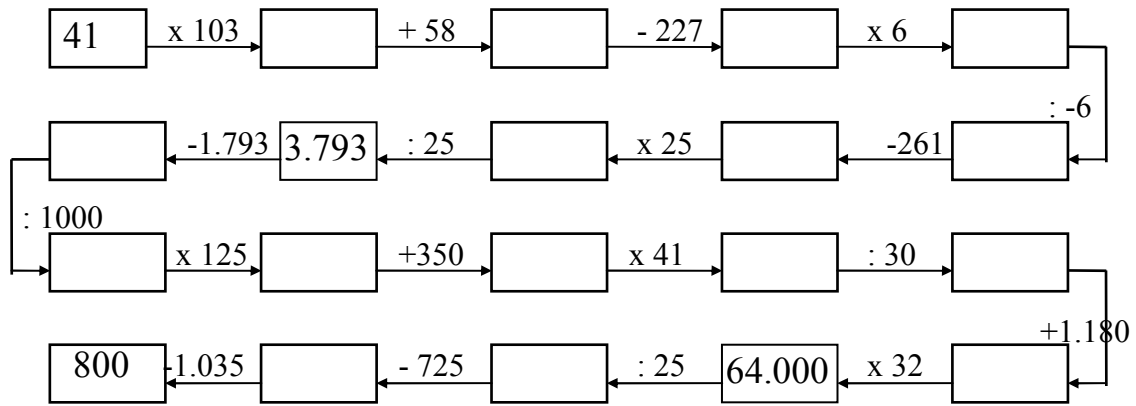
2 2 2 6

8

8 8 4 4

6

Completa la carrera de obstáculos:





## CÁLCULO - 3

$$\begin{array}{r}
 4886 \\
 802 \\
 + 4461 \\
 960 \\
 \hline
 \end{array}$$

$$\begin{array}{r}
 6621 \\
 608 \\
 + 904 \\
 9881 \\
 \hline
 \end{array}$$

$$\begin{array}{r}
 211 \\
 9011 \\
 + 242 \\
 1182 \\
 \hline
 \end{array}$$

$$\begin{array}{r}
 28262 \\
 - 2268 \\
 \hline
 \end{array}$$

$$\begin{array}{r}
 96886 \\
 - 1022 \\
 \hline
 \end{array}$$

$$\begin{array}{r}
 11688 \\
 - 10188 \\
 \hline
 \end{array}$$

$$\begin{array}{r}
 46201 \\
 \times 21 \\
 \hline
 \end{array}$$

$$\begin{array}{r}
 10006 \\
 \times 62 \\
 \hline
 \end{array}$$

$$\begin{array}{r}
 10406 \\
 \times 24 \\
 \hline
 \end{array}$$

$$864 \quad \left| \begin{array}{l} 21 \\ \hline \end{array} \right.$$

$$626 \quad \left| \begin{array}{l} 41 \\ \hline \end{array} \right.$$

$$280922 \quad \left| \begin{array}{l} 8 \\ \hline \end{array} \right.$$

$$811184 \quad \left| \begin{array}{l} 9 \\ \hline \end{array} \right.$$

$$\begin{array}{r}
 6484 \\
 402 \\
 + 1402 \\
 \hline
 892
 \end{array}$$

$$\begin{array}{r}
 888 \\
 2604 \\
 + 8886 \\
 \hline
 221
 \end{array}$$

$$\begin{array}{r}
 428 \\
 1211 \\
 + 461 \\
 \hline
 6444
 \end{array}$$

$$\begin{array}{r}
 82064 \\
 - 24446 \\
 \hline
 \end{array}$$

$$\begin{array}{r}
 90816 \\
 - 4289 \\
 \hline
 \end{array}$$

$$\begin{array}{r}
 24082 \\
 - 1468 \\
 \hline
 \end{array}$$

$$\begin{array}{r}
 46208 \\
 \times 82 \\
 \hline
 \end{array}$$

$$\begin{array}{r}
 20084 \\
 \times 4 \\
 \hline
 \end{array}$$

$$\begin{array}{r}
 88462 \\
 \times 68 \\
 \hline
 \end{array}$$

$$\begin{array}{r}
 462 \quad | \quad 28 \\
 \hline
 \end{array}$$

$$\begin{array}{r}
 281 \quad | \quad 44 \\
 \hline
 \end{array}$$

$$\begin{array}{r}
 822662 \quad | \quad 8 \\
 \hline
 \end{array}$$

$$\begin{array}{r}
 122421 \quad | \quad 8 \\
 \hline
 \end{array}$$

$$\begin{array}{r}
 468 \\
 2444 \\
 + 6628 \\
 \hline
 881
 \end{array}$$

$$\begin{array}{r}
 8944 \\
 894 \\
 + 2001 \\
 \hline
 111
 \end{array}$$

$$\begin{array}{r}
 9008 \\
 4684 \\
 + 8448 \\
 \hline
 2124
 \end{array}$$

$$\begin{array}{r}
 44426 \\
 - 2249 \\
 \hline
 \end{array}$$

$$\begin{array}{r}
 98822 \\
 - 4621 \\
 \hline
 \end{array}$$

$$\begin{array}{r}
 21100 \\
 - 28886 \\
 \hline
 \end{array}$$

$$\begin{array}{r}
 20002 \\
 \times 28 \\
 \hline
 \end{array}$$

$$\begin{array}{r}
 12848 \\
 \times 48 \\
 \hline
 \end{array}$$

$$\begin{array}{r}
 12088 \\
 \times 2 \\
 \hline
 \end{array}$$

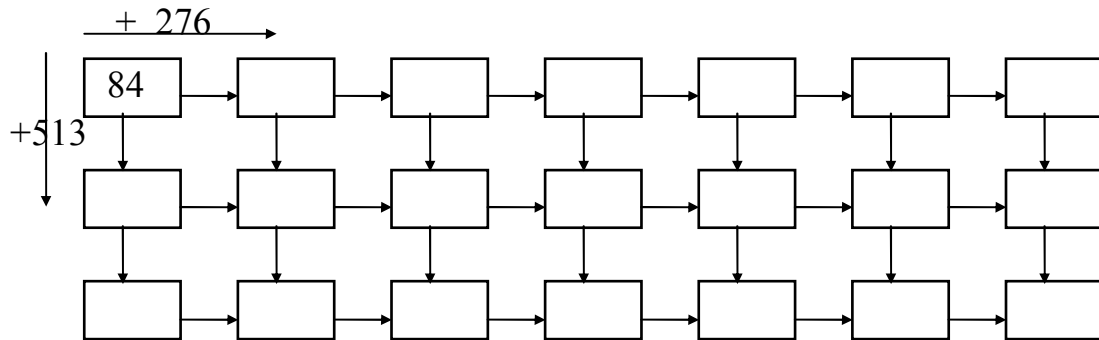
$$\begin{array}{r}
 468 \quad | \quad 12 \\
 \hline
 \end{array}$$

$$\begin{array}{r}
 242 \quad | \quad 16 \\
 \hline
 \end{array}$$

$$\begin{array}{r}
 446909 \quad | \quad 8 \\
 \hline
 \end{array}$$

$$\begin{array}{r}
 224410 \quad | \quad 8 \\
 \hline
 \end{array}$$

Completa la serie:



**AVERIGUA: “Establecimiento público donde hay juegos de azar”**

Operaciones	$(848 \times 4) - 882$	$1.988 - 841 - 248$	$(48 \times 108) - 4.040$	$446 \times 22$	$(2.486 - 1.844) + 608$	$11.480 : 8$
<b>Resultado</b>						
<b>Letra</b>						
<b>Nombre</b>						

**CLAVE:**

$22.980 = C$	$1.642 = S$	$2.060 = N$	$2.662 = I$	$2.042 = O$
$910 = A$	$900 = A$	$1.446 = S$	$1.060 = N$	$2.622 = I$

## CÁLCULO - 4

$$\begin{array}{r}
 488 \\
 8002 \\
 + 441 \\
 \hline
 4880
 \end{array}$$

$$\begin{array}{r}
 8821 \\
 8048 \\
 + 404 \\
 \hline
 4881
 \end{array}$$

$$\begin{array}{r}
 2211 \\
 811 \\
 + 8242 \\
 \hline
 1182
 \end{array}$$

$$\begin{array}{r}
 88246 \\
 - 4402 \\
 \hline
 \end{array}$$

$$\begin{array}{r}
 82410 \\
 - 28981 \\
 \hline
 \end{array}$$

$$\begin{array}{r}
 44401 \\
 - 24210 \\
 \hline
 \end{array}$$

$$\begin{array}{r}
 80042 \\
 \times 22 \\
 \hline
 \end{array}$$

$$\begin{array}{r}
 24044 \\
 \times 88 \\
 \hline
 \end{array}$$

$$\begin{array}{r}
 44612 \\
 \times 19 \\
 \hline
 \end{array}$$

$$824462 \mid 8$$

$$224486 \mid 2$$

$$8244 \mid 12$$

$$4801 \mid 26$$

$$\begin{array}{r}
 8822 \\
 4886 \\
 + 2649 \\
 \hline
 244
 \end{array}$$

$$\begin{array}{r}
 1006 \\
 2440 \\
 + 126 \\
 \hline
 9841
 \end{array}$$

$$\begin{array}{r}
 1242 \\
 461 \\
 + 4020 \\
 \hline
 1004
 \end{array}$$

$$\begin{array}{r}
 66428 \\
 - 1426 \\
 \hline
 \end{array}$$

$$\begin{array}{r}
 22228 \\
 - 20009 \\
 \hline
 \end{array}$$

$$\begin{array}{r}
 82988 \\
 - 4228 \\
 \hline
 \end{array}$$

$$\begin{array}{r}
 20098 \\
 \times 41 \\
 \hline
 \end{array}$$

$$\begin{array}{r}
 11004 \\
 \times 9 \\
 \hline
 \end{array}$$

$$\begin{array}{r}
 84241 \\
 \times 82 \\
 \hline
 \end{array}$$

$$988464 \mid 4$$

$$120261 \mid 6$$

$$8842 \mid 18$$

$$2898 \mid 24$$



























































































































